

## GripTight® High Pressure Test Plug

### The safe way to pressure test open-end pipe and tubing

High pressure pipe testing is safer than ever before, thanks to EST Group's GripTight high pressure test plug. Unlike other plugs that can loosen and eject under high pressure, the GripTight high pressure test plug actually uses test pressure to grip and seal more securely against the pipe's inner diameter. The greater the pressure, the greater the grip!

The result is a quicker installation, better sealing, and all around safer testing. Operating pressures to 14,000 PsiG (960 BarG). Sizes from 1/2" to 24" (11.9mm to 596.1mm). Larger sizes 26" through 42" (660.4mm to 1066.8mm) available on request.

**High pressure performance:** Have been used for pipe burst tests in a manufacturing environment. Tests at higher pressure with greater safety, typically to 80% of yield.

**Eliminates weld caps:** No welding or cutting required. Speeds fabrication testing, reducing test times up to 80%.

**Engineered seal design:** Reduces seal wear for long lasting performance.

**Positioning washer:** Prevents plug loss in pipe end.

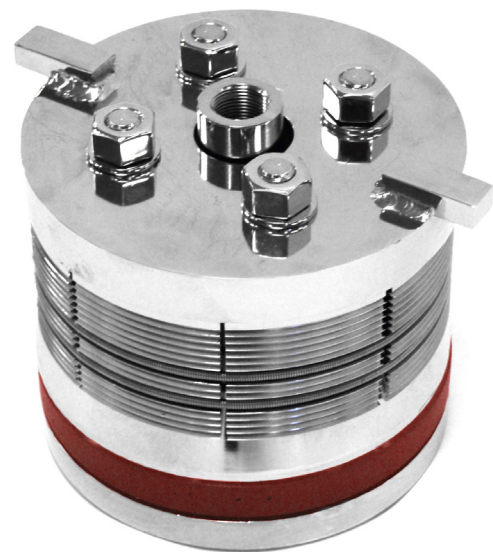
**Retaining spring:** Ensures retraction of gripper segments. Superior to O-ring design.

**Vent Caps:** Newly designed vent caps provide an efficient and quick method for venting air out of the piping system and filling the test pipe with test medium.

**Easy to maintain:** Replacement seals and grippers readily available and easy to replace.

**Super stock:** 1/2" to 24" in schedule 40 and 80 (DN25 to DN200) sizes are usually in stock for same or next day shipment.

**Optional seals:** Fluoroelastomer (Viton®\* or equivalent), Silicone, EPDM, Neoprene

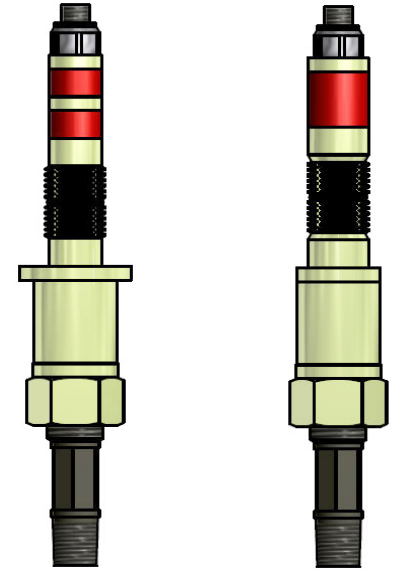


**Manufactured under  
a QA program certified to ISO-9001!**

Can be supplied under ANSI N45.2, 10CFR50 Appendix B  
\*Viton® is a registered trademark of DuPont Dow Elastomers

## Technical Specifications: SQ2 sizes ½" to 1"

Part Number	I.D. Size Range (inches (mm))	Maximum Pressure PsiG (BarG)
SQ2-0047	0.47 - 0.50 (11.9 - 12.7)	6500 (446)
SQ2-0050	0.50 - 0.53 (12.7 - 13.5)	6500 (446)
SQ2-0053	0.53 - 0.56 (13.5 - 14.2)	6500 (446)
SQ2-0056	0.56 - 0.60 (14.2 - 15.2)	6500 (446)
SQ2-0060	0.60 - 0.62 (15.2 - 15.8)	6500 (446)
SQ2-0062	0.62 - 0.65 (15.7 - 16.5)	6500 (446)
SQ2-0065	0.65 - 0.68 (16.5 - 17.3)	6500 (446)
SQ2-0068	0.68 - 0.72 (17.3 - 18.3)	6500 (446)
SQ2-0072	0.72 - 0.75 (18.3 - 19.1)	6500 (446)
SQ2-0075	0.75 - 0.78 (19.1 - 19.8)	6500 (446)
SQ2-0078	0.78 - 0.81 (19.8 - 20.6)	6500 (446)
SQ2-0081	0.81 - 0.83 (20.6 - 21.1)	6500 (446)
SQ2-0083	0.83 - 0.87 (21.1 - 22.1)	6500 (446)
SQ2-0087	0.87 - 0.90 (22.1 - 22.9)	6500 (446)
SQ2-0090	0.90 - 0.93 (22.9 - 23.6)	6500 (446)

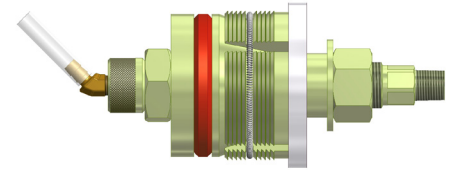


## Technical Specifications: Standard sizes 1" to 6"

Part Number	I.D. Size Range (inches (mm))	Maximum Pressure PsiG (BarG)	Part Number	I.D. Size Range (inches (mm))	Maximum Pressure PsiG (BarG)	Part Number	I.D. Size Range (inches (mm))	Maximum Pressure PsiG (BarG)
GT-1P80	0.93 - 1.00 (23.6 - 25.4)	8600 (590)	GT-25PXXS	1.74 - 1.91 (44.2 - 48.5)	12600 (870)	GT-3P40	3.04 - 3.14 (77.2 - 79.8)	3700 (260)
GT-1P40	1.01 - 1.09 (25.7 - 27.7)	6200 (430)	GT-2P80	1.91 - 1.99 (48.5 - 50.5)	5600 (390)	GT-4PXXS	3.12 - 3.32 (79.2 - 84.3)	9500 (660)
GT-15PXXS	1.07 - 1.20 (27.2 - 30.5)	13900 (960)	GT-198T	1.98 - 2.06 (50.3 - 52.3)	*	GT-3P10	3.23 - 3.34 (82.0 - 84.8)	2000 (140)
GT-1P10	1.07 - 1.20 (27.2 - 30.5)	5000 (350)	GT-2P40	2.04 - 2.12 (51.8 - 54.1)	3900 (270)	GT-3P5	3.30 - 3.41 (83.8 - 86.6)	1400 (100)
GT-125P160	1.13 - 1.24 (28.7 - 31.5)	9600 (660)	GT-2P10	2.10 - 2.22 (53.3 - 56.4)	2700 (190)	GT-35P80	3.33 - 3.44 (84.6 - 87.4)	4800 (330)
GT-1P5	1.13 - 1.24 (28.7 - 31.5)	2900 (200)	GT-25P160	2.10 - 2.22 (53.3 - 56.4)	8200 (570)	GT-4P160	3.41 - 3.57 (86.6 - 90.7)	7400 (510)
GT-125P80	1.25 - 1.33 (31.8 - 33.8)	7200 (500)	GT-2P5	2.22 - 2.30 (56.4 - 58.4)	1600 (110)	GT-35P40	3.52 - 3.63 (89.4 - 92.2)	3300 (230)
GT-125P40	1.31 - 1.43 (33.3 - 36.3)	5100 (350)	GT-25P80	2.27 - 2.45 (57.7 - 62.2)	5900 (410)	GT-4P120	3.60 - 3.74 (91.4 - 95.0)	6000 (410)
GT-15P160	1.31 - 1.43 (33.3 - 36.3)	9400 (650)	GT-3PXXS	2.27 - 2.45 (57.7 - 62.2)	11100 (770)	GT-35P10	3.73 - 3.84 (94.7 - 97.5)	1700 (120)
GT-125P10	1.41 - 1.49 (35.8 - 37.8)	3900 (270)	GT-25P40	2.44 - 2.54 (62.0 - 64.5)	4200 (290)	GT-35P5	3.80 - 3.91 (96.5 - 99.3)	1400 (80)
GT-125P5	1.47 - 1.61 (37.3 - 40.9)	2300 (160)	GT-253T	2.53 - 2.63 (64.3 - 66.8)	*	GT-4P80	3.80 - 3.91 (96.5 - 99.3)	4500 (310)
GT-15P80	1.47 - 1.61 (37.3 - 40.9)	6500 (450)	GT-25P10	2.60 - 2.74 (66.0 - 69.6)	2400 (170)	GT-390T	3.90 - 4.01 (99.1 - 101.9)	*
GT-2PXXS	1.47 - 1.61 (37.3 - 40.9)	12000 (830)	GT-3P160	2.60 - 2.74 (66.0 - 69.6)	7800 (540)	GT-4P40	4.00 - 4.11 (101.6 - 104.4)	3100 (210)
GT-15P40	1.58 - 1.66 (40.1 - 42.2)	4600 (320)	GT-25P5	2.68 - 2.78 (68.1 - 70.6)	1600 (110)	GT-5PXXS	4.03 - 4.25 (102.4 - 108.0)	8500 (590)
GT-15P10	1.66 - 1.77 (42.2 - 45.0)	3400 (240)	GT-35PXXS	2.70 - 2.89 (68.6 - 73.4)	10200 (700)	GT-4P10	4.23 - 4.34 (107.4 - 110.2)	1500 (100)
GT-2P160	1.66 - 1.77 (42.2 - 45.0)	9200 (640)	GT-3P80	2.87 - 2.98 (72.9 - 75.7)	5200 (360)	GT-4P5	4.28 - 4.47 (108.7 - 113.5)	1100 (80)
GT-15P5	1.74 - 1.91 (44.2 - 48.5)	2000 (140)	GT-296T	2.96 - 3.07 (75.2 - 78.0)	*	GT-5P160	4.28 - 4.47 (108.7 - 113.5)	7000 (480)

## Technical Specifications: Standard sizes 1" to 6" (continued)

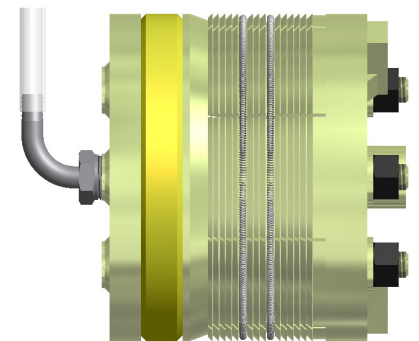
Part Number	I.D. Size Range (inches (mm))	Maximum Pressure PsiG (BarG)	Part Number	I.D. Size Range (inches (mm))	Maximum Pressure PsiG (BarG)
GT-442T	4.42 - 4.58 (112.3 - 116.3)	*	GT-6P120	5.47 - 5.64 (138.9 - 143.3)	5100 (350)
GT-5P120	4.53 - 4.69 (115.1 - 119.1)	5500 (380)	GT-562T	5.62 - 5.76 (142.7 - 146.3)	*
GT-466T	4.66 - 4.82 (118.4 - 122.4)	*	GT-6P80	5.73 - 5.87 (145.5 - 149.1)	3900 (270)
GT-5P80	4.78 - 4.91 (121.1 - 124.7)	4000 (280)	GT-588T	5.88 - 6.03 (149.4 - 153.2)	*
GT-6PXXS	4.87 - 5.11 (123.7 - 129.8)	8200 (570)	GT-6P40	6.04 - 6.17 (153.4 - 156.7)	2500 (170)
GT-5P40	5.02 - 5.14 (127.5 - 130.6)	2700 (190)	GT-618T	6.18 - 6.32 (157.0 - 160.5)	*
GT-514T	5.14 - 5.26 (130.6 - 133.6)	*	GT-6P10	6.33 - 6.47 (160.8 - 164.3)	1200 (80)
GT-6P160	5.16 - 5.37 (131.1 - 136.4)	6700 (460)	GT-6P5	6.38 - 6.52 (162.1 - 165.6)	940 (70)
GT-5P10	5.27 - 5.39 (133.9 - 136.9)	1400 (100)	GT-653T	6.53 - 6.67 (165.9 - 169.4)	*
GT-5P5	5.32 - 5.44 (135.1 - 138.2)	1100 (80)	GT-668T	6.68 - 6.82 (169.7 - 173.2)	*
GT-534T	5.34 - 5.51 (135.6 - 140.0)	*			



Shown with optional GripTight Vent Cap

## Technical Specifications: 8"

Part Number	I.D. Size Range (inch (mm))	Maximum Pressure PsiG (BarG)
GT-8P160	6.78 - 7.04 (172.2 - 178.8)	6400 (440)
GT-8PXXS	6.85 - 7.09 (174.0 - 180.1)	6200 (430)
GT-8P140	6.97 - 7.20 (177.0 - 182.9)	5700 (390)
GT-8P120	7.16 - 7.37 (181.9 - 187.2)	5100 (350)
GT-730T	7.30 - 7.48 (185.4 - 190.0)	*
GT-8P100	7.41 - 7.59 (188.2 - 192.3)	4100 (280)
GT-8P80	7.60 - 7.75 (193.0 - 196.9)	3400 (240)
GT-769T	7.69 - 7.84 (195.3 - 199.1)	*
GT-8P60	7.78 - 7.93 (197.6 - 201.4)	2800 (190)
GT-787T	7.87 - 8.02 (199.9 - 203.7)	*
GT-8P40	7.95 - 8.10 (201.9 - 205.7)	2200 (150)
GT-8P30	8.04 - 8.19 (204.2 - 208.0)	1900 (130)
GT-8P20	8.10 - 8.25 (205.7 - 209.6)	1700 (120)
GT-820T	8.20 - 8.35 (208.3 - 212.1)	*
GT-8P10	8.30 - 8.45 (210.8 - 214.6)	980 (70)
GT-8P5	8.38 - 8.53 (212.9 - 216.7)	720 (50)



Shown with optional GripTight Vent Cap

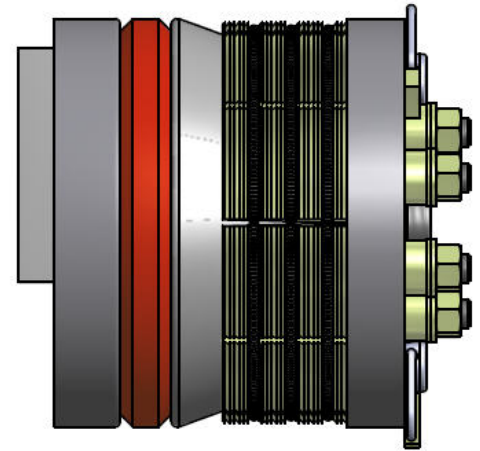
### \*Notes

- NEVER use a test pressure greater than the weakest component that the system can handle. Pressure specified in the table is equivalent to 80% of the pressure that will yield ASTM A106 Grade B pipe. The test pressure for higher and lower strength pipes will differ proportionally. The maximum pressure for high strength pipe must never exceed the highest test pressure listed for that pipe O.D.
- Sizes that do not have a test pressure listed differ from standard pipe sizes. These plug sizes are normally used to test tubing. For use of these GripTight high pressure test plug sizes in tubing with a minimum yield strength of 35 ksi, the maximum pressure is estimated by the test pressure listed for the equivalent or next larger pipe O.D. with the equivalent or next thinner wall thickness. The test pressure for higher and lower strength tubes will differ proportionally. The maximum test pressure for higher strength tubes must never exceed the highest test pressure listed for the equivalent or next larger pipe size. NEVER use a test pressure greater than the weakest component that the system can safely handle.

Specifications subject to change without notice.

## Technical Specifications: 10" and Larger

Part Number	I.D. Size Range (inches (mm))	Maximum Pressure PsiG (BarG)
GT-10P40	9.99 - 10.21 (253.7 - 259.3)	1996 (136)
GT-10PXS	9.72 - 9.97 (246.9 - 253.2)	2725 (187)
GT-10P80	9.53 - 9.80 (242.1 - 248.9)	3264 (225)
GT-12P40	11.91 - 12.19 (302.5 - 309.6)	1840 (127)
GT-12PXS	11.72 - 11.97 (297.7 - 304.0)	2282 (157)
GT-12P80	11.34 - 11.64 (288.0 - 295.7)	3184 (220)
GT-14PSTD	13.22 - 13.44 (335.8 - 341.4)	1540 (106)
GT-14P40	13.09 - 13.33 (332.5 - 338.6)	1807 (124)
GT-14PXS	12.97 - 13.22 (329.4 - 335.8)	2071 (143)
GT-14P80	12.47 - 12.78 (316.7 - 324.6)	3160 (219)
GT-16PSTD	15.22 - 15.44 (386.6 - 392.2)	1343 (93)
GT-16P40	14.97 - 15.22 (380.2 - 386.6)	1805 (124)
GT-16P80	14.28 - 14.62 (362.7 - 371.3)	3109 (214)
GT-18PSTD	17.22 - 17.44 (437.4 - 443.0)	1191 (82)
GT-18PXS	16.97 - 17.22 (431.0 - 437.4)	1599 (110)
GT-18P40	16.84 - 17.11 (427.7 - 434.6)	1803 (123)
GT-18P80	16.09 - 16.45 (408.7 - 417.8)	3069 (211)
GT-20PSTD	19.22 - 19.47 (488.2 - 494.5)	1070 (74)
GT-20PXS	18.97 - 19.25 (481.8 - 489.0)	1435 (99)
GT-20P40	18.78 - 19.09 (477.0 - 484.9)	1713 (118)
GT-20P80	17.91 - 18.32 (454.9 - 465.3)	3035 (209)
GT-22PSTD	21.22 - 21.47 (539.0 - 545.3)	971 (67)
GT-22PXS	20.97 - 21.25 (532.6 - 539.8)	1302 (90)
GT-22P80	19.72 - 20.16 (500.9 - 512.1)	3009 (207)
GT-24PSTD	23.22 - 23.47 (589.8 - 596.1)	889 (61)
GT-24PXS	22.97 - 23.25 (583.4 - 590.6)	1191 (82)
GT-24P40	22.59 - 22.92 (573.8 - 582.2)	1651 (113)
GT-24P80	21.53 - 21.99 (546.9 - 558.5)	2985 (205)



Vent for 10" schedule and larger is integral to bottom washer. Other sizes, up to 42" schedules, and/or pressure ratings are available. Please consult factory for a specific quotation.

## GripTight Vent Cap Adapter Size Chart

Pipe Size inches (mm)	SCH 5	SCH 10	STD	SCH40	XS	SCH80	SCH120	SCH160	XXS
1.25 (31.8)	GTVC-0088	GTVC-0088	*	*	*	*	*	*	*
1.50 (38.1)	GTVC-0088	GTVC-0088	GTVC-0088	GTVC-0088	GTVC-0088	GTVC-0088	*	*	*
2.00 (50.8)	GTVC-0088	GTVC-0088	GTVC-0088	GTVC-0088	GTVC-0088	GTVC-0088	*	GTVC-0088	GTVC-0088
2.50 (63.5)	GTVC-0125	GTVC-0125	GTVC-0125	GTVC-0125	GTVC-0088	GTVC-0088	*	GTVC-0088	GTVC-0088
3.00 (76.2)	GTVC-0125	GTVC-0125	GTVC-0125	GTVC-0125	GTVC-0125	GTVC-0125	*	GTVC-0125	GTVC-0088
3.50 (88.9)	GTVC-0125	GTVC-0125	GTVC-0125	GTVC-0125	GTVC-0125	GTVC-0125	*	*	GTVC-0125
4.00 (101.6)	GTVC-0150	GTVC-0125	GTVC-0125	GTVC-0125	GTVC-0125	GTVC-0125	GTVC-0125	GTVC-0125	GTVC-0125
5.00 (127.0)	GTVC-0150	GTVC-0150	GTVC-0150	GTVC-0150	GTVC-0150	GTVC-0150	GTVC-0150	GTVC-0150	GTVC-0125
6.00 (152.4)	GTVC-0150	GTVC-0150	GTVC-0150	GTVC-0150	GTVC-0150	GTVC-0150	GTVC-0150	GTVC-0150	GTVC-0150
8.00 (203.2)	GTVC-0075	GTVC-0075	GTVC-0075	GTVC-0075	GTVC-0075	GTVC-0075	GTVC-0075	GTVC-0075	GTVC-0075

North, Central & South America **EST Group** 2701 Township Line Road Hatfield, PA 19440-1770 USA | +1.215.721.1100 +1.800.355.7044 | est-info@curtisswright.com

Europe / Middle East / Africa **EST Group B.V.** Hoorn 312a 2404 HL Alphen aan den Rijn The Netherlands | +31.172.418841 | est-emea@curtisswright.com

China +86.400.636.5077 | est-china@curtisswright.cn | Singapore +65.3158.5052 | est-asia@curtisswright.com